



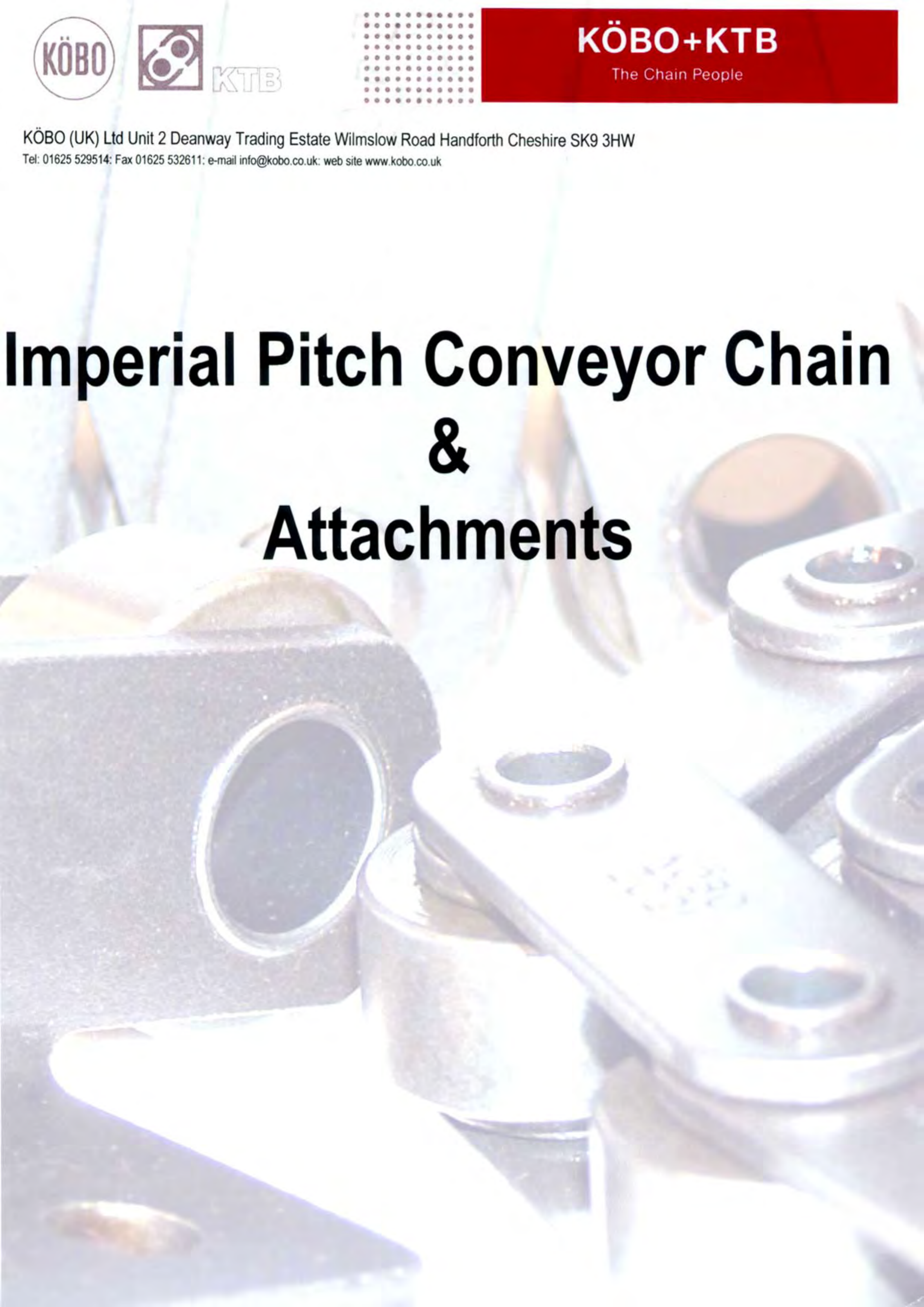
KÖBO+KTB

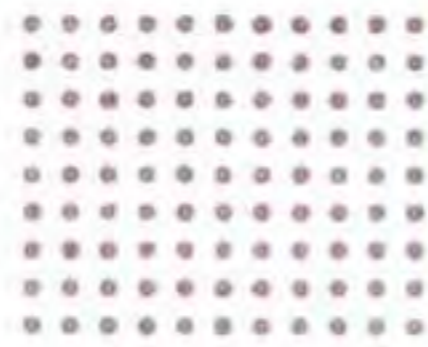
The Chain People

KÖBO (UK) Ltd Unit 2 Deanway Trading Estate Wilmslow Road Handforth Cheshire SK9 3HW

Tel: 01625 529514: Fax 01625 532611: e-mail info@kobo.co.uk: web site www.kobo.co.uk

Imperial Pitch Conveyor Chain & Attachments





KÖBO+KTB

The Chain People

KÖBO (UK) Ltd Unit 2 Deanway Trading Estate Wilmslow Road Handforth Cheshire SK9 3HW
Tel: 01625 529514; Fax 01625 532611; e-mail info@kobo.co.uk; web site www.kobo.co.uk

KÖBO Conveyor chain provides practical cost effective solutions, with a commitment of value through quality. This is achieved by continuous investment in people, process technology and manufacturing.

KÖBO Imperial pitch conveyor chain is manufactured to the highest quality, the side plates have been hardened to give a superior breaking load compared to other British Standard Chains that are available on the market.

With Hardened rollers, and also integral or welded attachments, make KÖBO chain your choice for trouble free conveying.

Consistent reliability

KÖBO has over 110 years of experience in the design and manufacture of power transmission and conveying products, manufactured to the highest specifications, with proven performance in diverse industries worldwide, this underwrites the guaranteed quality and the assurance of reliability.

Service and technical care

KÖBO can offer excellent service and technical expertise, with agencies throughout Europe, KÖBO's staff are available for visits to your customer or plant to help you secure solutions to problems.

Special solutions and innovations

KÖBO is recognised throughout industry for its capability to create specific solutions to customer's unique requirements. International companies and industries from steel to food processing to escalators to textile machinery have chosen KÖBO to solve their problems.



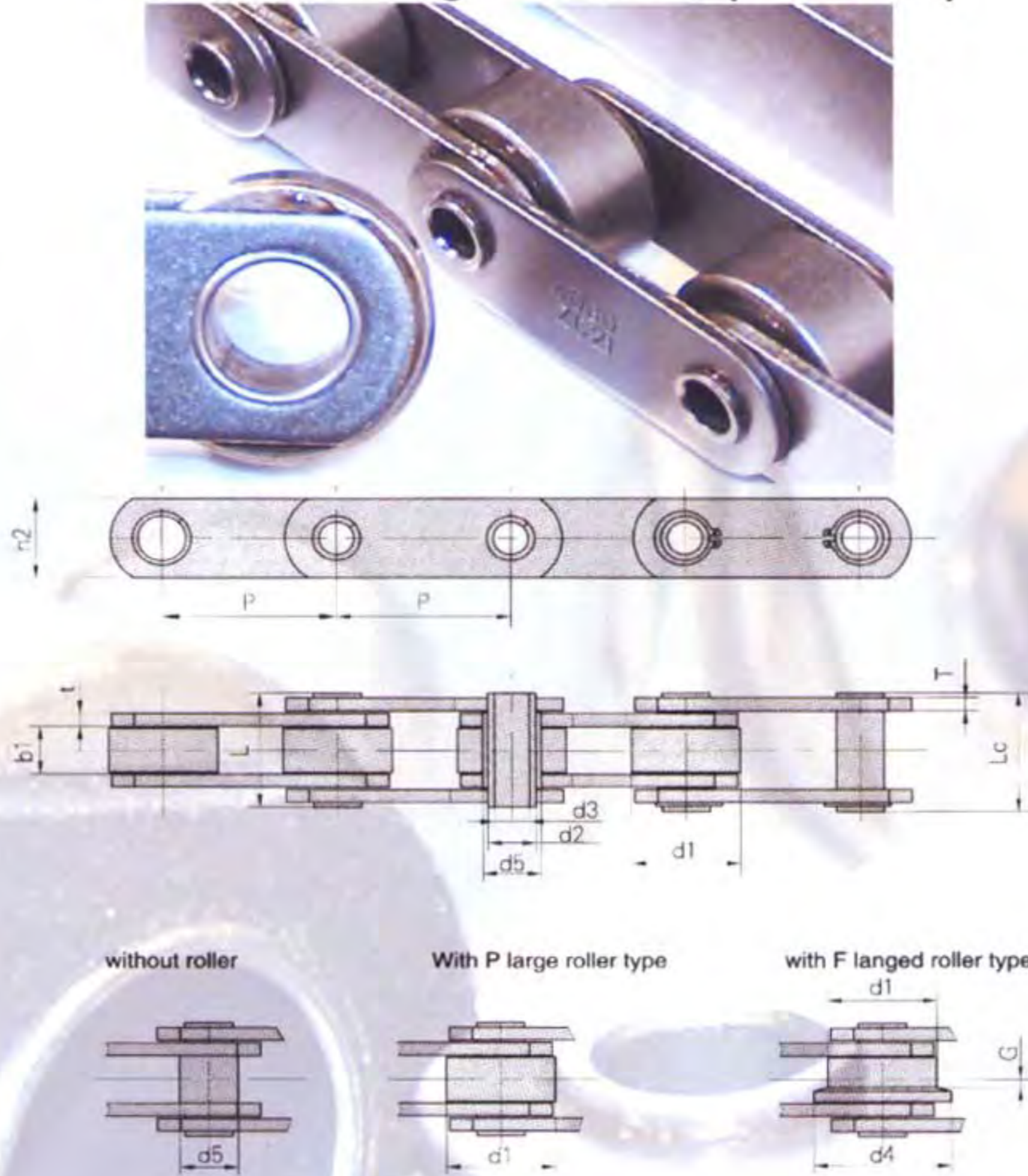
KÖBO+KTB

The Chain People

KÖBO (UK) Ltd Unit 2 Deanway Trading Estate Wilmslow Road Handforth Cheshire SK9 3HW

Tel: 01625 529514: Fax 01625 532611: e-mail info@kobo.co.uk: web site www.kobo.co.uk

Hollow Bearing Pin Chains (ZC Series)



KÖBO Chain No	Chain Pitch							Roller Ø		Centre Distance to Flange	Bush Ø
	P							d1	d4	G	d5
	mm	mm	mm	mm	mm	mm	mm	mm	mm	mm	
ZC21	38.1	50.8	63.5	76.2				25.4			11
ZC40	50.80	63.50	76.20	88.90	101.60	127.00	152.40	31.75	40.00	2.50	17.00
ZC60	76.20	88.90	101.60	127.00	152.40	177.80	203.20	47.50	60.00	3.50	23.00
ZC150	101.60	127.00	152.40	177.80	203.20	228.60	254.00	66.70	82.00	4.00	33.00
ZC300	152.40	177.80	203.20	254.00	304.80			88.90	114.00	8.50	38.00

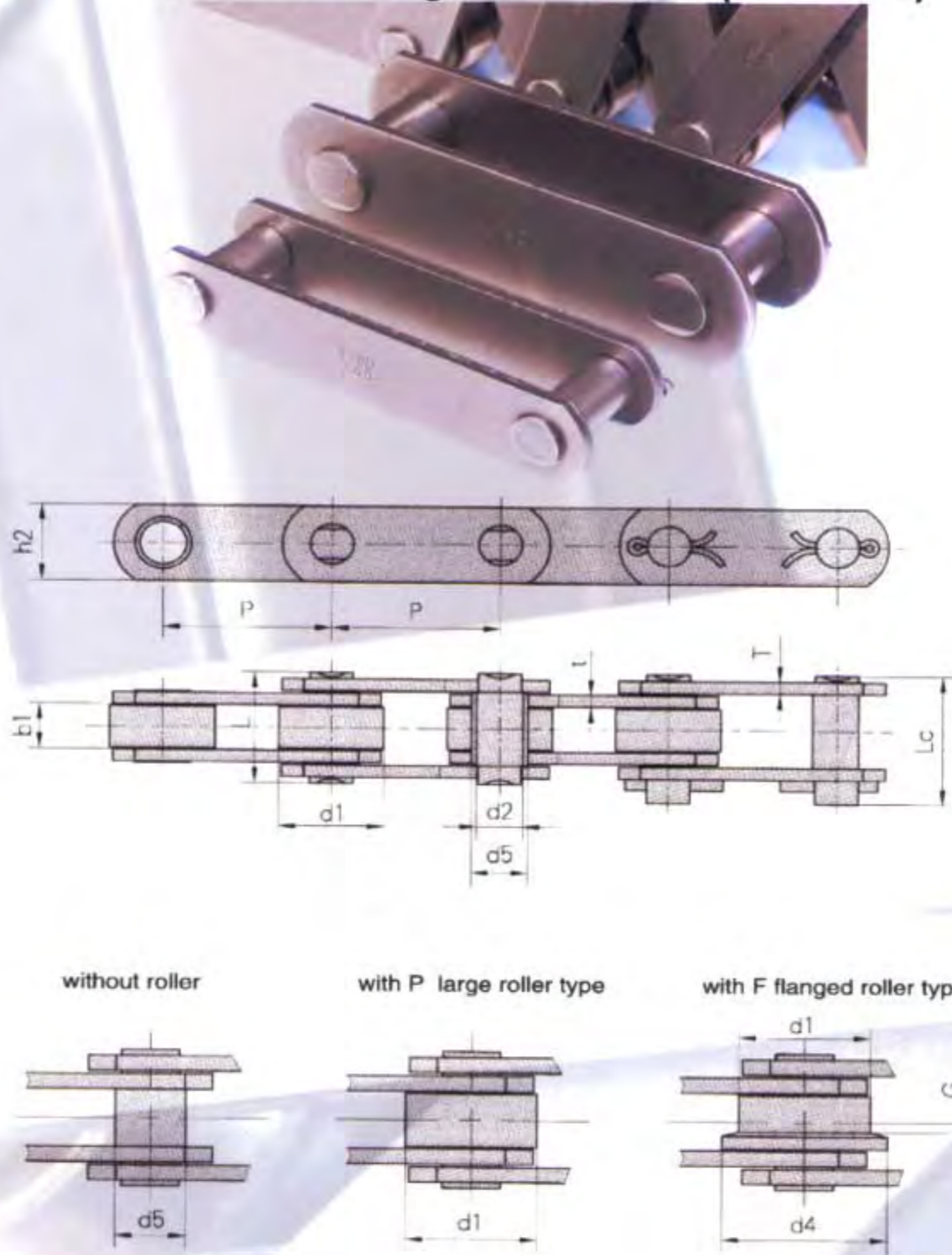
KÖBO Chain No	Distance Between Inner Plates	Pin Diameter		Pin Length		Plate Depth	Plate Thickness	Breaking Load	
	b1	d2	d3	L	Lc	h2	t / T	Q	
	mm	mm	mm	mm	mm	mm	mm	k/N	lb
ZC21	12.70	9.00	6.50	26.00	27.50	18.00	2.50	21.00	4772.00
ZC40	15.00	14.00	10.20	36.40	37.70	25.00	4.00	50.00	11362.00
ZC60	19.00	19.00	13.20	45.00	46.00	40.00	5.00 / 4.00	120.00	27270.00
ZC150	26.00	26.90	20.20	58.00	60.50	50.00	7.00 / 5.00	190.00	43177.00
ZC300	38.00	32.00	23.10	83.00	85.00	60.00	10.00 / 8.00	380.00	86362.00



KÖBO (UK) Ltd Unit 2 Deanway Trading Estate Wilmslow Road Handforth Cheshire SK9 3HW

Tel: 01625 529514; Fax 01625 532611; e-mail info@kobo.co.uk; web site www.kobo.co.uk

Solid Bearing Pin Chains (Z Series)



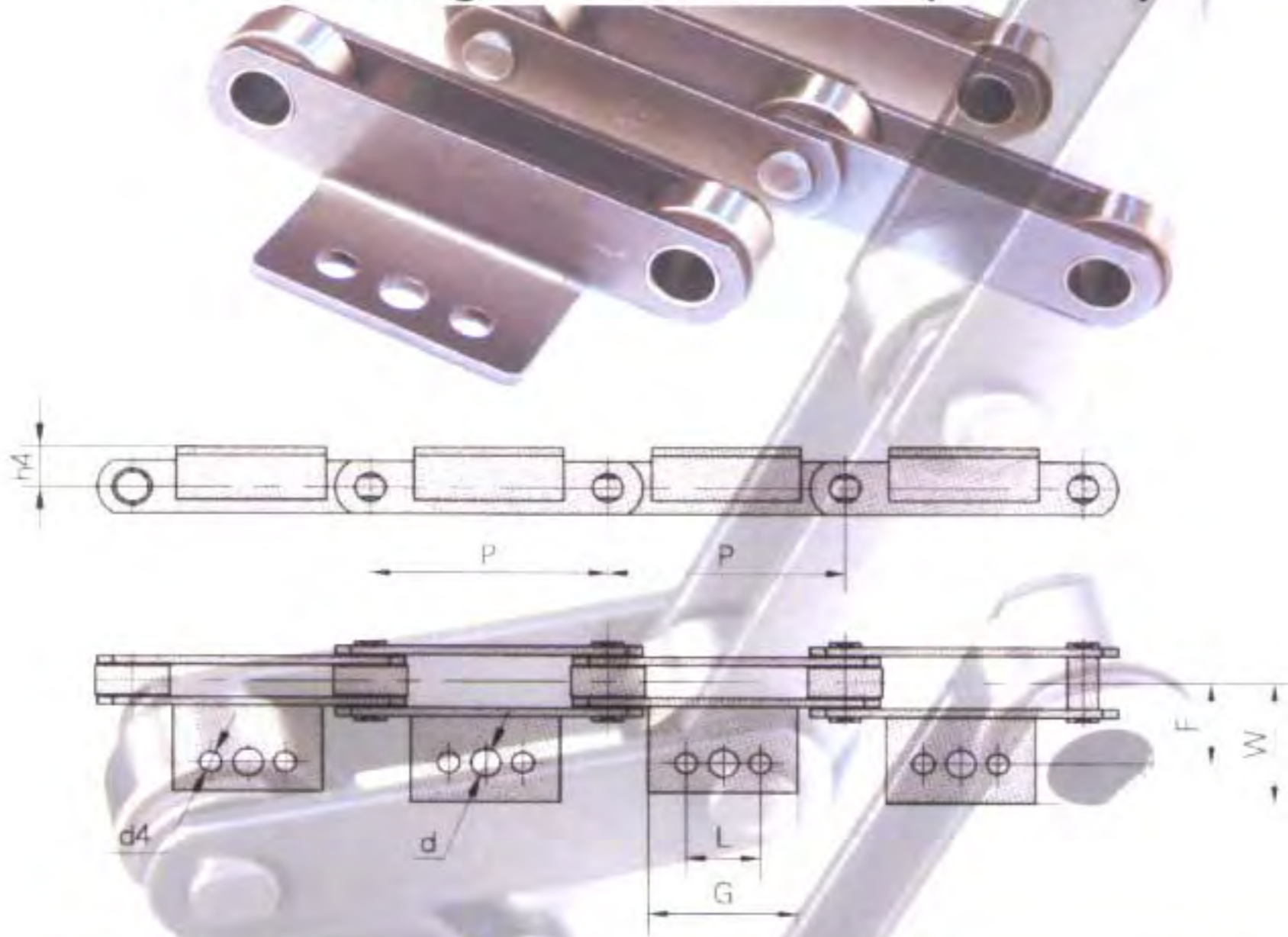
KÖBO Chain No	Chain Pitch							Roller Ø		Centre Distance to Flange	Bush Ø
	P							d1	d4	G	d5
	mm	mm	mm	mm	mm	mm	mm	mm	mm	mm	
Z40	50.80	63.50	76.20	88.90	101.60	127.00	152.40	31.75	40.00	2.50	17.00
Z100	76.20	88.90	101.60	127.00	152.40	177.80	203.20	47.50	60.00	3.50	23.00
Z160	101.60	127.00	152.40	177.80	203.20	228.60	254.00	66.70	82.00	3.50	33.00
Z300	152.40	177.80	203.20	254.00	304.80			88.90	114.00	8.50	38.00

KÖBO Chain No	Distance Between Inner Plates	Pin Diameter	Plate Depth	Pin Length		Plate Thickness	Breaking Load	
				mm	mm		Q	
				b1	d2		h2	L
Z40	15.00	14.00	25.00	37.00	40.50	4.00	50.00	11362.00
Z100	19.00	19.00	40.00	45.00	50.50	5.00 / 4.00	130.00	29540.00
Z160	26.00	26.90	50.00	58.00	63.50	7.00 / 5.00	200.00	45454.00
Z300	38.00	32.00	60.00	84.00	94.00	10.00 / 8.00	380.00	86362.00



KÖBO (UK) Ltd Unit 2 Deanway Trading Estate Wilmslow Road Handforth Cheshire SK9 3HW
 Tel: 01625 529514; Fax 01625 532611; e-mail info@kobo.co.uk; web site www.kobo.co.uk

Solid Bearing Pin Attachments (Z Series)



KÖBO Chain No		P	L	G	d	d4	F	W	h4
		mm	mm	mm	mm	mm	mm	mm	mm
Z40	□	50.80	*	45.00	10.7	*	38.10	64.50	19.00
	□	63.50	22.20	43.00		9.30		56.00	
	▲	76.20		50.00				68.00	
	▲	88.90	31.80	64.00		56.00			
	■	101.60		84.00		55.00			
	■	127.00	57.20	84.00		56.00			
	■	152.40				56.00			
Z100	□	76.20	*	30	14.00	*	44.50	65.00	32.00
	□	88.90							
	■	101.60	31.80	64.00					
	□ ▲	127.00	57.20	84.00		12.3			
	■	152.40		114.50					
	□ ▲	177.80	80	110.00		54.00			
	□ ▲	203.20		130.00					
Z160	□	101.60	*	35.00	15.50	*	54.00	77.00	38.00
	□ ▲	127.00							
	□ ▲	152.40	57.20	84.00					
	□ ▲	177.80		100.00		130.00			
	□ ▲	203.20	150.00						
	□ ▲	228.60	135.00	170.00					
	□ ▲	254.00		170.00					
Z300	□	152.40	38.10	70.00	17.00	14.00	73.00	100.00	51.00
	□	177.80							
	□ ▲	203.20	76.20	100.00					
	□ ▲	254.00	90.00	152.40					
	□ ▲	304.80	190.00	225.00					

□ attachments with 1 hole

▲ attachments with 2 holes

■ attachments with 3 holes

KÖBO (UK) Ltd Unit 2 Deanway Trading Estate Wilmslow Road Handforth Cheshire SK9 3HW

KÖBO + KTB. The combination of the KÖBO, KTB, Koenig, Fisenewert, Gieselberg and Shomacker companies, bring to you, over 110 years of chain making excellence. Founded in 1894 KÖBO is a brand you can rely on. With ongoing investment in the factories in Germany and Poland. We look forward to the next 100 years supporting you and giving solutions to your industries.

With a full range of Transmission chain plus attachments. Sprockets in pilot and taper bore, double simples also in pilot and taper bore. Imperial and metric conveyor chain with or without attachments. And to compliment these products there is the high quality Rosta range of tensioners and anti-vibration units, elastic motor base's up to 115 Kw plus standard slide motor bases.

The majority of the range is available in High quality alloy steels and stainless steels to support industries as diversified as.

- Escalators
- Steel Production
- Sugar cane and Sugar beet
- Mining
- Cement
- Food production (Sterilizing and Pasteurisation)
- Beverages (beer, milk, soft drinks, distilleries)
- Automobile's
- Timber and Paper
- Brick and slate making
- Enviromental (water filtration and sewage)

KÖBO + KTB **Chains and Wheels
for all Applications**



KÖBO+KTB
The Chain People