

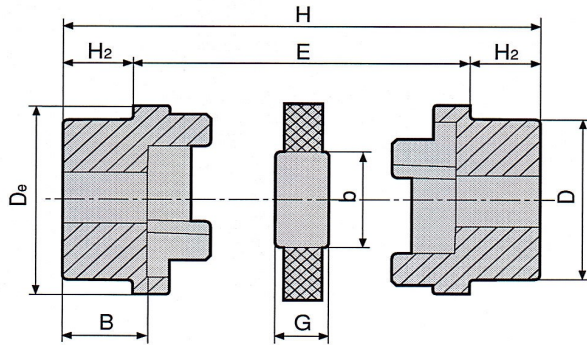


**KÖBO+KTb**  
The Chain People

**Elastomeric shaft coupling Pilot bore series**

Type	Max bore		Dimensions								
	mm	inches	De	D	b	E	G	H <sup>2</sup>	B	H	Kg/2
HRCp70	32	1¼	69	60	31	25.00	18.00	20.00	23.50	65.00	1.20
HRCp90	42	1½	85	70	32	30.50	22.50	26.00	30.00	82.50	2.15
HRCp110	55	2½	112	100	45	45.00	29.00	37.00	45.00	119.00	6.10
HRCp130	60	2¾	130	105	50	53.00	36.00	47.00	55.50	147.00	8.90
HRCp150	70	2¾	150	115	62	60.00	40.00	50.00	60.00	160.00	12.20
HRCp180	80	3¾	180	125	77	73.00	49.00	58.00	70.00	189.00	18.40
HRCp230	100	4	225	155	99	85.50	59.50	77.00	90.00	239.50	35.50
HRCp280	130	5	275	206	119	105.50	74.50	90.00	105.50	285.50	71.50

Material: Cast iron EN-GJL-250 UNI EN 1561

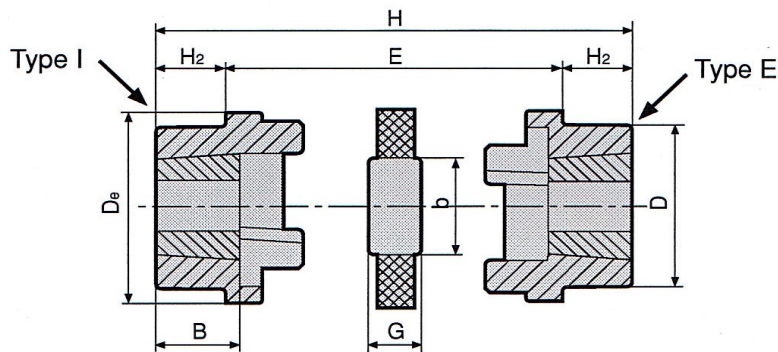


**Elastomeric shaft couplings Taper bore series**

Type	Bush	Max bore		Dimensions									
		mm	inches	De	D	b	E	G	H <sup>2</sup>	B	J*	H	Kg/2
HRCI/E 70	1008	25	1	69	60	31	25.00	18.00	20.00	23.50	29.00	65.00	0.88
HRCI/E 90	1108	20	1½	85	70	32	30.50	22.50	19.50	23.50	29.00	69.50	1.45
HRCI/E 110	1610	42	1¾	112	100	45	45.00	29.00	18.50	26.50	38.00	82.00	3.20
HRCI/E 130	1610	42	1¾	130	105	50	53.00	36.00	18.00	26.50	38.00	89.00	4.54
HRCI/E 150	2012	50	2	150	115	62	60.00	40.00	23.50	33.50	42.00	107.00	6.60
HRCI/E 180	2517	60	2½	180	125	77	73.00	49.00	34.50	46.50	48.00	142.00	10.75
HRCI/E 230	3020	75	3	225	155	99	85.50	59.50	39.50	52.50	55.00	165.00	19.14
HRCI/E 280	3525	100	4	275	206	119	106.00	74.50	51.00	66.50	67.00	208.00	41.00

Material: Cast iron EN-GJL-250 UNI EN 1561

\* J = Clearance required for the allen key for tightening and loosening the bush onto the shaft.



**Elastomeric inserts**

Type	Kg
HRCN70	0.016
HRCN90	0.05
HRCN110	0.08
HRCN130	0.15
HRCN150	0.22
HRCN180	0.38
HRCN230	0.8
HRCN280	1.53

Material: Rubber